


 Catalogue
CATERING

 Chapter
COOKING

 Model
EMFP-120 BP RI SP SE 230V 1N 50Hz

19048089

DIMENSIONS

	Article		Packed	
Lenght	1200	mm	1250	mm
Depth	900	mm	850	mm
Height	590	mm	750	mm
Weight	102,000	kg	106,000	kg
Volume	0,588	m3	0,797	m3

ELECTRICITY

Electric power	0,25	kw
Voltage	230V -1N	
Single-phase 230V wiring	2X1,5+T - 2 A	
Frequency	50	hz

REFRIGERATION

Cooling gas	R-290	
Cooling position	0,25	KW
Gross internal volume	169,00	l
Climatic class	4	

REFRIGERATED BASES WITH DOORS GASTRONORM, EMFP-120-BP

SPECIFICATIONS

Sealed compressor with ventilated condenser.
 Copper pipe evaporator with aluminium wings.
 50 mm of injected polyurethane insulation with a density of 40 kg/m3.
 Alarm to prevent prolonged opening of the door.
 2 reversible doors, with automatic closing device and open fastening at 90 °.
 Electronic and digital temperature and defrost control.
 Adjustable stainless steel legs.
 Adjustable height 580÷600 mm to place the top elements.
 Forced draught.
 Working temperature: -2 °C, +8 °C.

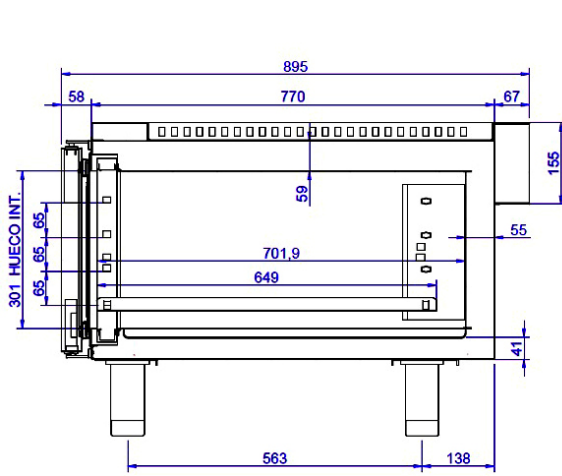


Catalogue
CATERING

Chapter
COOKING

Model
EMFP-120 BP RI SP SE 230V 1N 50Hz

19048089



CORTE A-A

