



Catalogue
CATERING
Chapter
COOKING

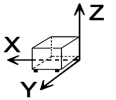
Model
CG7-10 LPG

19007380

30/05/2019

GAS RANGE, CG7-10
Made of stainless steel.
Solid top on the work-top.
Cast iron burner under the solid top.
Dimensions of the solid top plate: 695 x 620 mm.

DIMENSIONS



X Width	700 mm	X Gross width	745 mm
Y Depth	775 mm	Y Gross depth	890 mm
Z Height	290 mm	Z Gross height	520 mm
Net Weight	93,0 kg	Gross Weight	103,0 kg
Net volume	0,157 m3	Gross volume	0,345 m3

ELECTRICITY TECHNICAL SPECIFICATIONS

Voltage	N/A
Electric frequency	N/A

GAS TECHNICAL SPECIFICATIONS

Gas type	LPG
Gas power	8,40 kW
Gas consumption	0,699 kg/h
Regulated	LPG G30/G31 28-30/37 mbar NG G20/G25/G25.1 20/25/25 mbar

CONNECTIONS TECHNICAL SPECIFICATIONS

Gas diameter 1	R.3/4"G
----------------	---------

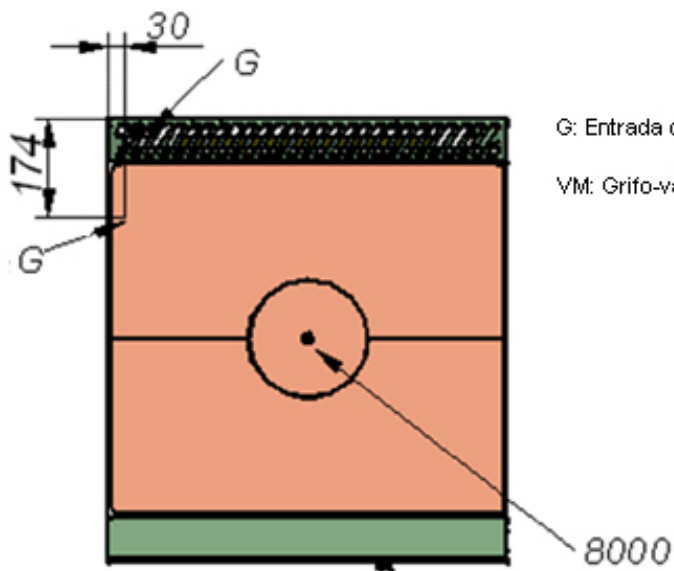
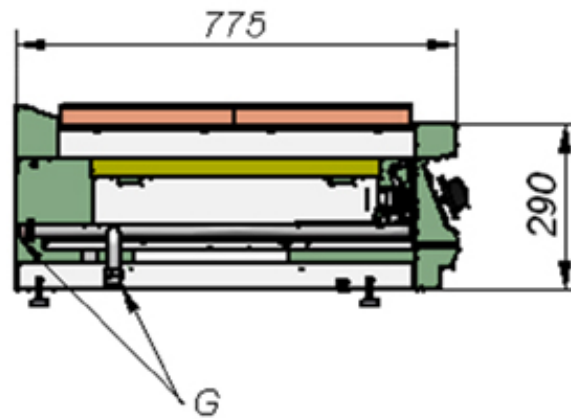
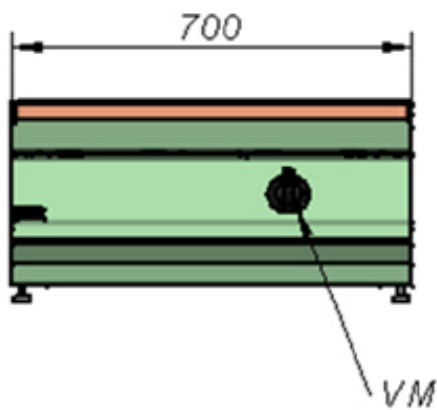


Catalogue
CATERING
Chapter
COOKING

Model
CG7-10 LPG

19007380

30/05/2019



G: Entrada de gas

G: Gas inlet

VM: Grifo-válvula de mesa

VM: Table tap-valve