



**Catalogue**  
CATERING  
**Chapter**  
COOKING

**Model**  
CG7-40 H LPG

19005175

30/05/2019

GAS RANGE, CG7-40 H  
Made of stainless steel.  
Open hobs with safety valve and thermocouples.  
Pilots for ignition.  
Cast iron gratings and burners.  
Burners: 4 x 6.9 kW  
  
Fat collector under the grids.

**DIMENSIONS**



X Width	700 mm	X Gross width	740 mm
Y Depth	775 mm	Y Gross depth	885 mm
Z Height	290 mm	Z Gross height	530 mm
Net Weight	56,0 kg	Gross Weight	67,0 kg
Net volume	0,157 m3	Gross volume	0,347 m3

**ELECTRICITY TECHNICAL SPECIFICATIONS**

Voltage	N/A
Electric frequency	N/A

**GAS TECHNICAL SPECIFICATIONS**

Gas type	LPG
Gas power	27,60 kW
Gas consumption	2,297 kg/h
Regulated	LPG G30/G31 28-30/37 mbar NG G20/G25/G25.1 20/25/25 mbar

**CONNECTIONS TECHNICAL SPECIFICATIONS**

Gas diameter 1	R.3/4"G
----------------	---------

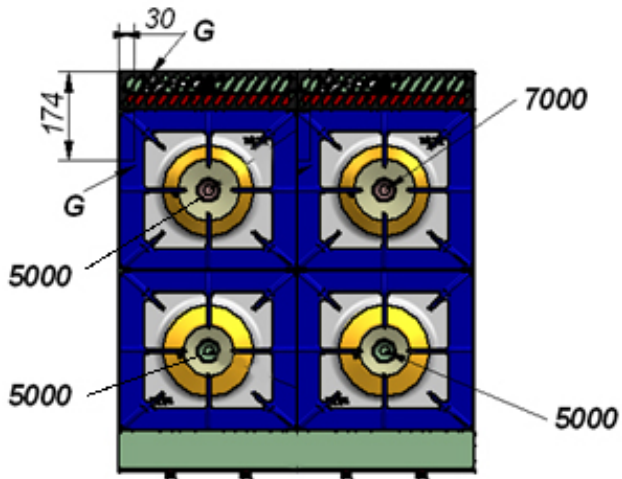
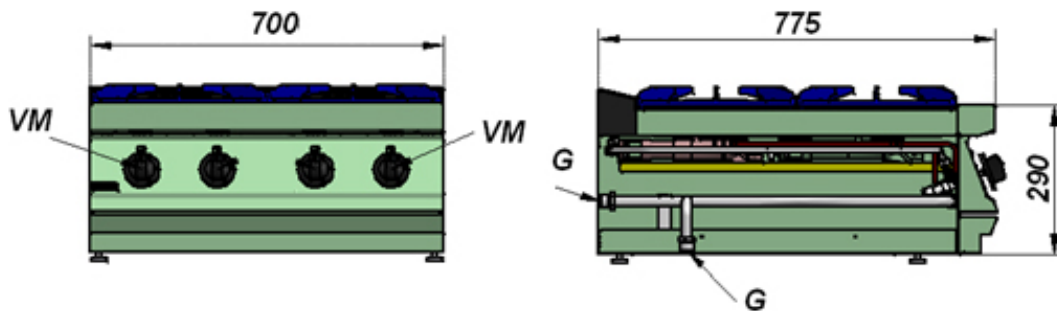


Catalogue  
**CATERING**  
Chapter  
**COOKING**

Model  
**CG7-40 H LPG**

19005175

30/05/2019



G: Entrada de gas

G: Gas inlet

VM: Grifo-válvula de mesa

VM: Table tap-valve