



Catalogue
CATERING
Chapter
COOKING

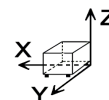
Model
CG7-41 H LPG

19007376

30/05/2019

GAS RANGE, CG7-41 H
 Made of stainless steel.
 Open hobs with safety valve and thermocouples.
 Pilots for ignition.
 Cast iron gratings and burners.
 Burners: 4x6.9 kW
 Dimensions of the grill: 347x310 mm.
 Fat collector under the grids.
 2/1 GN oven made of stainless steel, with tubular burner in stainless steel.
 Pilot and thermocouple.
 Thermostatic control (130 °C - 350 °C).
 Oven burner: 7.8 kW.

DIMENSIONS



X Width	700 mm	X Gross width	740 mm
Y Depth	775 mm	Y Gross depth	835 mm
Z Height	850 mm	Z Gross height	1045 mm
Net Weight	107,0 kg	Gross Weight	122,0 kg
Net volume	0,461 m3	Gross volume	0,646 m3

ELECTRICITY TECHNICAL SPECIFICATIONS

Voltage	N/A
Electric frequency	N/A

GAS TECHNICAL SPECIFICATIONS

Gas type	LPG
Gas power	35,40 kW
Gas consumption	2,872 kg/h
Regulated	LPG G30/G31 28-30/37 mbar NG G20/G25/G25.1 20/25/25 mbar

CONNECTIONS TECHNICAL SPECIFICATIONS

Gas diameter 1	R.3/4"G
----------------	---------



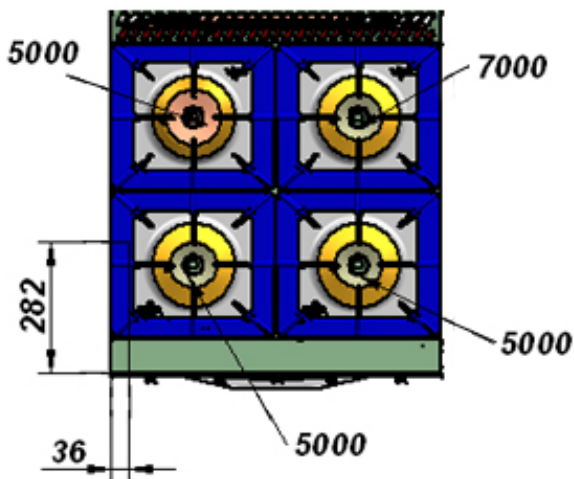
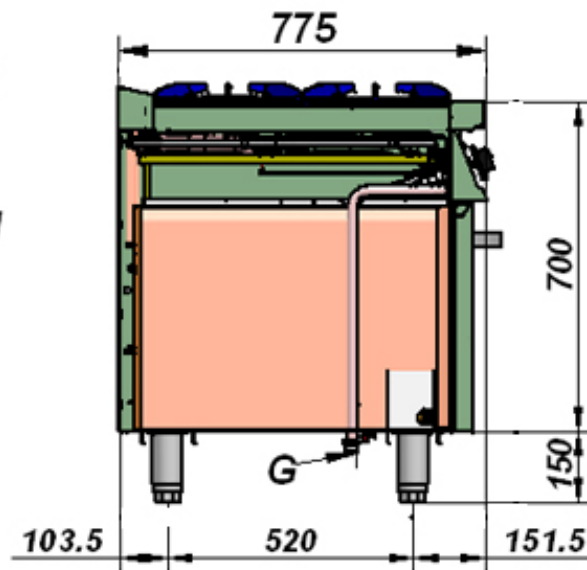
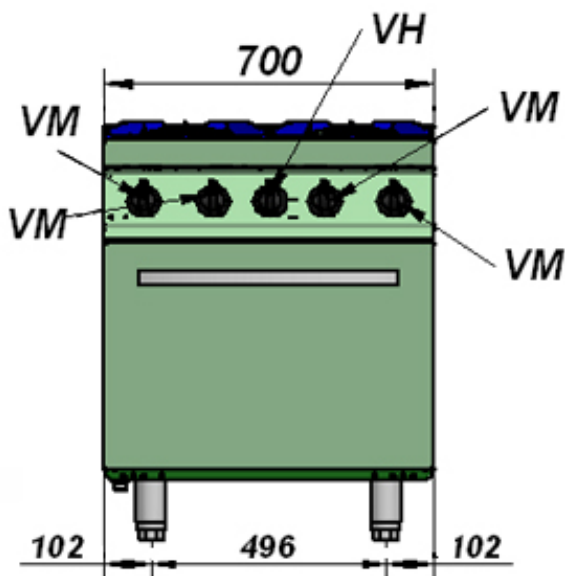
Catalogue
CATERING

Chapter
COOKING

Model
CG7-41 H LPG

19007376

30/05/2019



G: Entrada de gas
VM: Grifo válvula de mesa
VH: Válvula termostática de horno

G: Gas inlet
VM: Table tap-valve
VH: Oven thermostatic valve