



Catalogue
CATERING
Chapter
COOKING

Model
CG7-61 H LPG

19007360

30/05/2019

GAS RANGE, CG7-61 H
Made of stainless steel.
Open hobs with safety valve and thermocouples.
Pilots for ignition.
Cast iron gratings and burners.
Burners: 6x6.9 kW
Dimensions of the grill: 347x310 mm.
Fat collector under the grids.
2/1 GN oven made of stainless steel, with tubular burner in stainless steel.
Pilot and thermocouple.
Thermostatic control (130 °C - 350 °C).
Oven burner: 7.8 kW.
Auxiliary neutral cabinet.

DIMENSIONS



X Width	1050 mm	X Gross width	1110 mm
Y Depth	775 mm	Y Gross depth	885 mm
Z Height	850 mm	Z Gross height	1110 mm
Net Weight	138,0 kg	Gross Weight	160,0 kg
Net volume	0,692 m3	Gross volume	1,090 m3

ELECTRICITY TECHNICAL SPECIFICATIONS

Voltage	N/A
Electric frequency	N/A

GAS TECHNICAL SPECIFICATIONS

Gas type	LPG
Gas power	49,20 kW
Gas consumption	4,095 kg/h
Regulated	LPG G30/G31 28-30/37 mbar NG G20/G25/G25.1 20/25/25 mbar

CONNECTIONS TECHNICAL SPECIFICATIONS

Gas diameter 1	R.3/4"G
----------------	---------



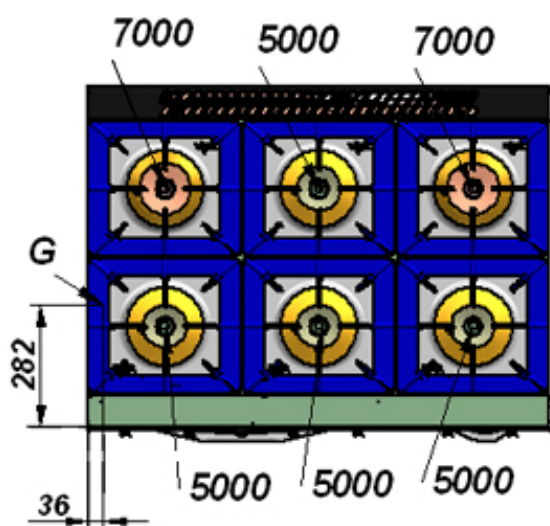
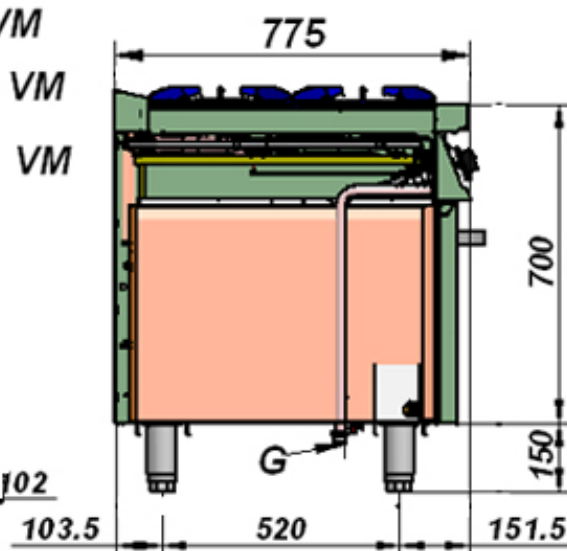
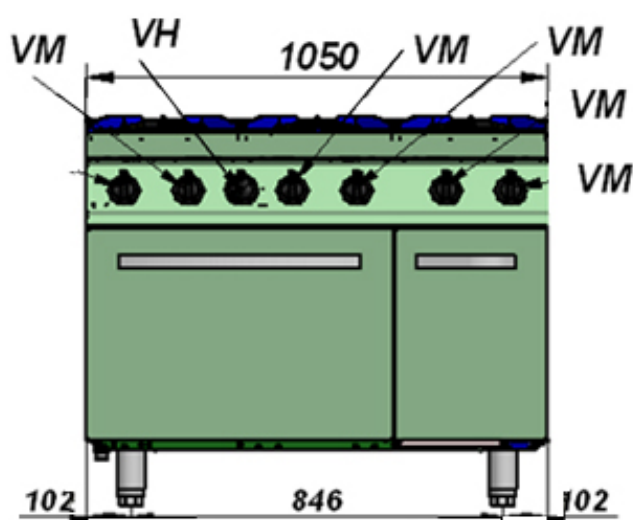
Catalogue
CATERING

Chapter
COOKING

Model
CG7-61 H LPG

19007360

30/05/2019



G: Entrada de gas
VM: Grifo válvula de mesa
VH: Válvula termostática de horno

G: Gas inlet
VM: Table tap-valve
VH: Oven thermostatic valve