



Catalogue
CATERING
Chapter
COOKING

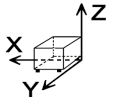
Model
FG7-05 LPG 230V 1N 50Hz 1C

19010395

30/05/2019

GAS FRYER, FG7-05 - 1C
Made of stainless steel
Capacity: one 15 litre oil/well.
Tank equipment: 1 basket 250x280 mm .
Cast iron burners.
Thermostat temperature control 60 °C to 195 °C.
Automatic burner ignition by means of an electromagnetic valve, with pilot light and thermocouple.
Safety thermostat.
Drainage tap.

DIMENSIONS



X Width	350 mm	X Gross width	390 mm
Y Depth	775 mm	Y Gross depth	835 mm
Z Height	850 mm	Z Gross height	1060 mm
Net Weight	50,0 kg	Gross Weight	62,0 kg
Net volume	0,231 m3	Gross volume	0,345 m3

ELECTRICITY TECHNICAL SPECIFICATIONS

Electric power	0,050 kW
Voltage	230V - 1N
Amperage	2A
Electric frequency	50Hz

GAS TECHNICAL SPECIFICATIONS

Gas type	LPG
Gas power	15,00 kW
Gas consumption	1,249 kg/h
Regulated	LPG G30/G31 28-30/37 mbar NG G20/G25/G25.1 20/25/25 mbar

CONNECTIONS TECHNICAL SPECIFICATIONS

Single-phase 230V wiring	2X1,5+T - 2 A
Gas diameter 1	R.3/4"G



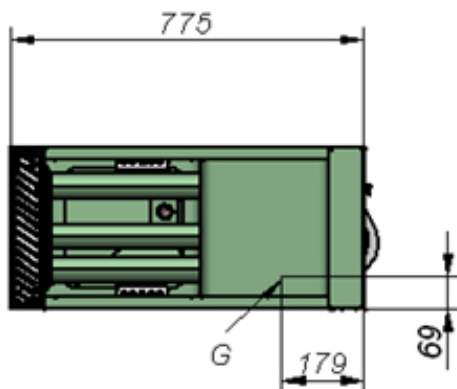
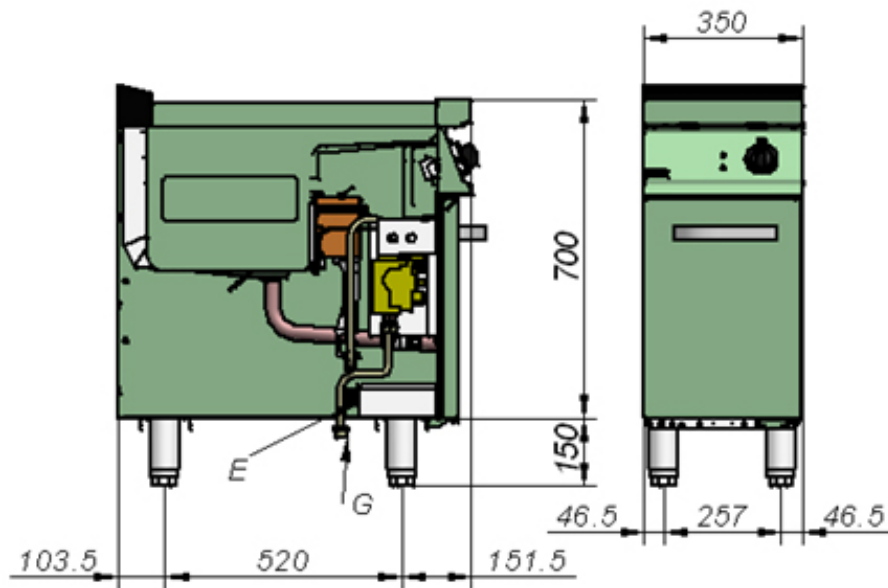
Catalogue
CATERING

Chapter
COOKING

Model
FG7-05 LPG 230V 1N 50Hz 1C

19010395

30/05/2019



G: Entrada de gas
R: Regleta
E: Cuadro Electrico

G: Gas inlet
R: Terminal strip
E: Switchboard